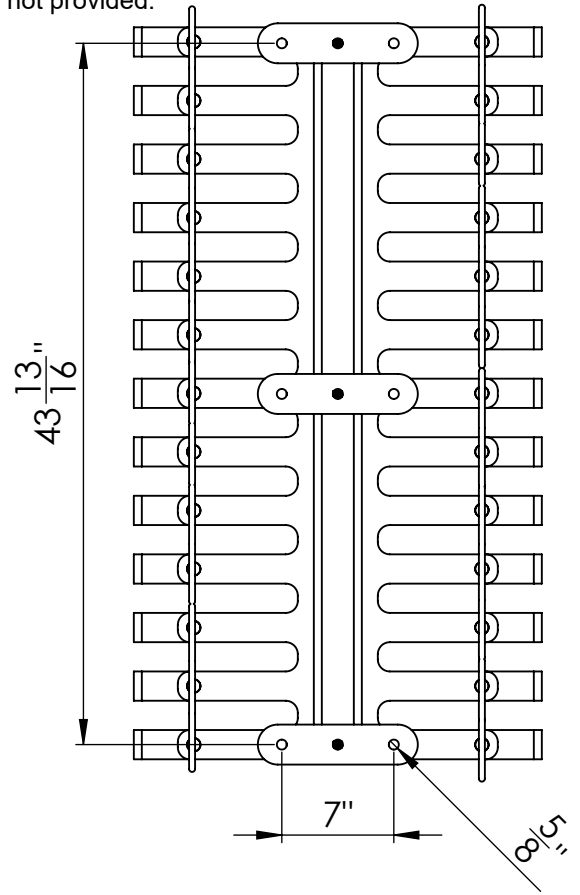
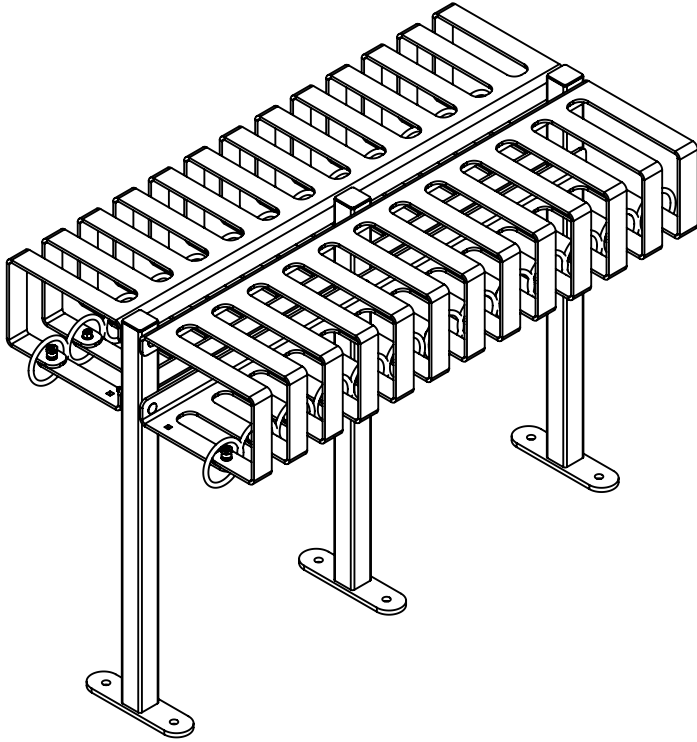


BRUTE 24 Short: Specifications



Secures up to 24 skateboards. Formed from 1/4" thick mild steel plate. Pedestal legs are made from 2" x 2" mild steel square tubing and capped. Twenty-six steel rings are provided for securing the skateboards. All components are zinc plated or powder coated. Intended to be mounted to a flat concrete or masonry brick surface. Mounting hardware is not provided.



This document is provided by Loch Unlimited, Inc. Copyright 2017. Duplication of this document is prohibited unless granted in writing by Loch Unlimited, Inc. The products contain within this document are protected by U.S. Patents 6,978,902; 7,318,530; and 7,789,247. All rights are reserved.

